

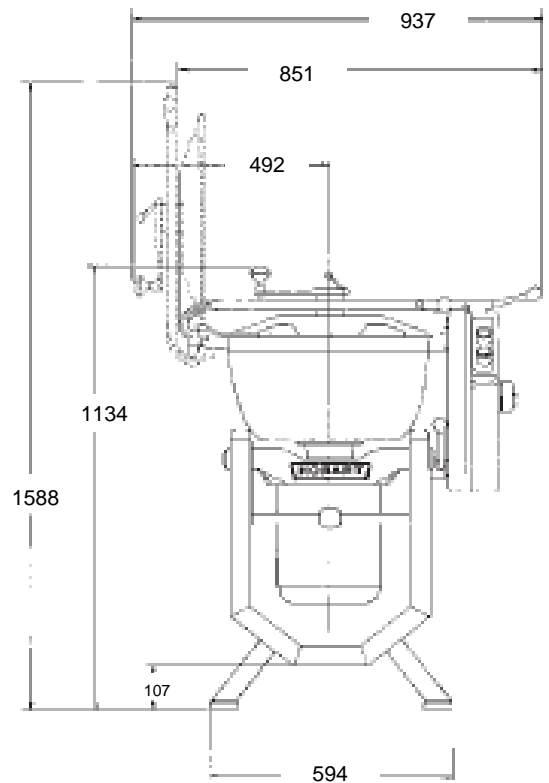
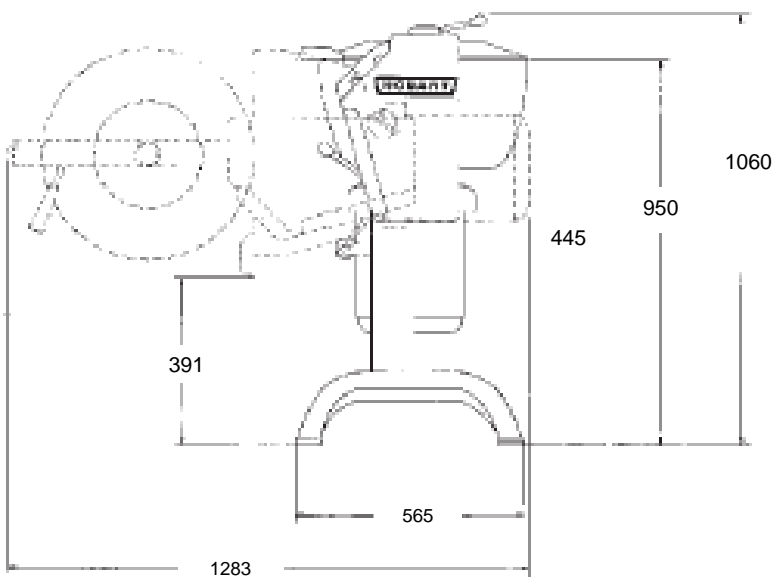
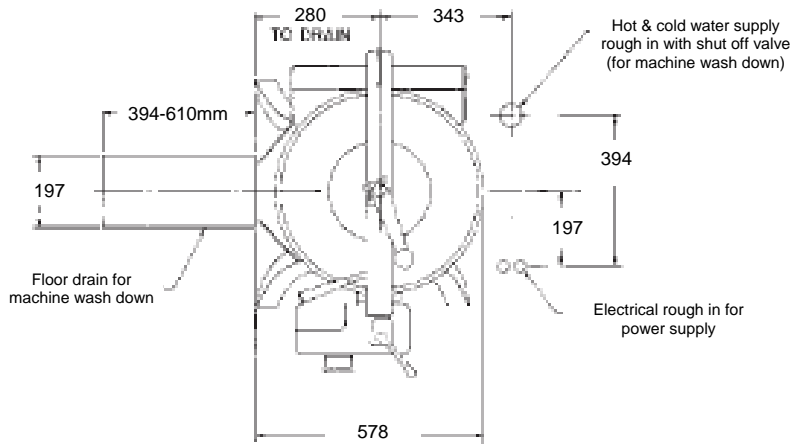
**45 quart high volume tilting cutter mixer**



- 3.73kW motor
- **45 quart (43litre) capacity stainless steel bowl with pouring lip**
- Durable steel base with epoxy enamel finish
- **Electromechanical safety interlocks** - unit will not operate if bowl cover is not latched or unit will operate if bowl is tilted beyond 20 degrees from vertical position
- Start / stop push button switches
- 5 minute timer with “hold” and “jog” settings
- Counterbalanced clear Lexan<sup>R</sup> polycarbonate bowl cover with stainless steel support bar
- **Locking tilt mechanism for emptying and cleaning**
- Stainless steel **mixing baffle (arm)** with pour-through centre shaft
- **2 blade cut / mix knife**
- Knead / mix attachment
- Polypropylene strainer basket
- Rubber foot pads standard

**Technical Data**

Knife rotation	1140 RPM
Bowl capacity	45 quarts (43 litres)
Timer	5 mins plus HOLD & JOG settings
Safety	Bowl cover interlock
	Tilt interlock mechanism
Motor size	3.73kW
Power supply	415/50/3 - 10amp (max 3.73kW)
Power cord	Not supplied
Shipping weight	164kg



**WARNING:** ELECTRICAL AND GROUNDING CONNECTIONS MUST COMPLY WITH THE APPLICABLE PORTIONS OF THE NATIONAL ELECTRICAL CODE AND/OR OTHER LOCAL ELECTRICAL CODES IN FORCE.